

PLEASE CHECK WWW.MOLEX.COM FOR LATEST PART INFORMATION

Part Number: [1300660170](#)
Status: **Active**
Overview: BradPower Cordsets and Receptacles
Description: BradPower D-Size (1 3/8"-M35) Brad Power Receptacle, 4 Poles, Male, 1/2" - 14 NPT, 10/1 AWG, 0.5m (19.7") Length

Documents:

[Drawing \(PDF\)](#) [RoHS Certificate of Compliance \(PDF\)](#)

Agency Certification

UL E258922

General

Product Family Industrial Receptacles
 Series [130066](#)
 IP Rating IP67
 Overview [BradPower Cordsets and Receptacles](#)
 Product Name BradPower D-Size
 Taxonomy Circular Industrial Connectors
 Type Single Ended (pigtail)
 UPC 78678858949

Physical

Coupling Type External Thread
 Gender Male
 Keyway Single
 Length 0.50m
 Material - Component Clear Anodized Aluminum
 Mounting Thread Size 1/2" - 14 NPT
 Net Weight 255.000/g
 Orientation Straight
 Panel Mount Front
 Poles 4
 Temperature Range - Operating -20° to +90°C
 Wire Size AWG 10
 Wire/Cable Type UL 1015

Electrical

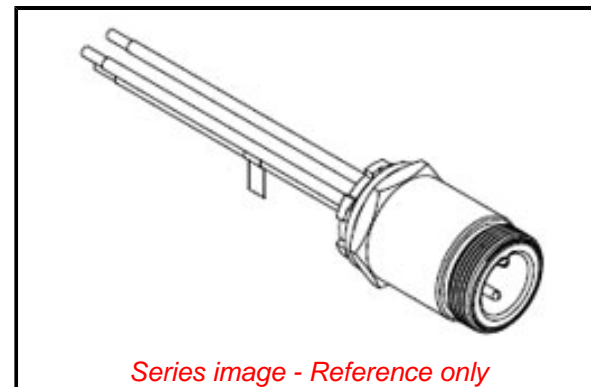
Current - Maximum per Contact 32.0A
 Voltage - Maximum 600V

Material Info

Engineering Number CR4006A30M005

Reference - Drawing Numbers

Sales Drawing SD-130066-054-001



Series image - Reference only

EU ELV

Not Relevant

EU RoHS

Compliant

REACH SVHC

Not Reviewed

Halogen-Free

Status

Not Reviewed

For more information, please visit [Contact US](#)

China ROHS

ELV

RoHS Phthalates

ZZCERT_UKCA

- Declaration of

Conformity

China RoHS

Green Image

Not Relevant

Not Contained

CER_4000410542_00_000.pdf

Search Parts in this Series

[130066 Series](#)